

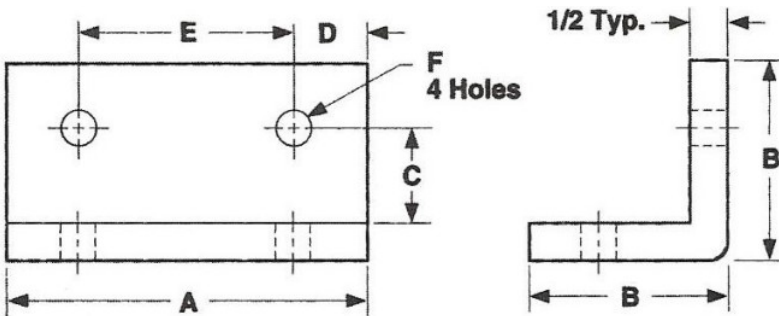
# PMC INC

www.PMC720.com 410-828-4475 sales@PMC720.com

## Carry and Return Wear shoes

Select Material:  UHMW  Urethane  Nylon

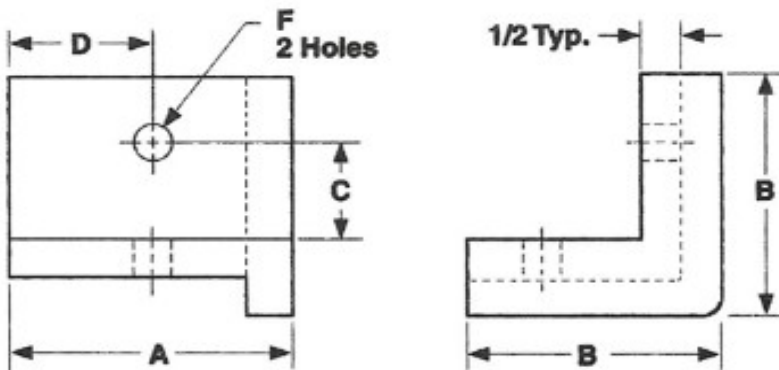
### Carry Wear shoe



A	<input type="text"/>	"
B	<input type="text"/>	"
C	<input type="text"/>	"
D	<input type="text"/>	"
E	<input type="text"/>	"
F	<input type="text"/>	"

Quantity

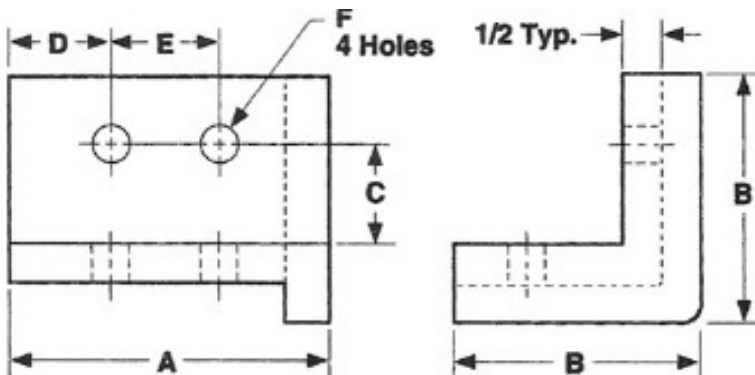
### Single Hole Return Wear shoe



A	<input type="text"/>	"
B	<input type="text"/>	"
C	<input type="text"/>	"
D	<input type="text"/>	"
E	<input type="text"/>	"
F	<input type="text"/>	"

Quantity

### Double Hole Return Wear shoe



A	<input type="text"/>	"
B	<input type="text"/>	"
C	<input type="text"/>	"
D	<input type="text"/>	"
E	<input type="text"/>	"
F	<input type="text"/>	"

Quantity